

RS125-4

5" Reference Woofer 4 Ohm



RS125-4

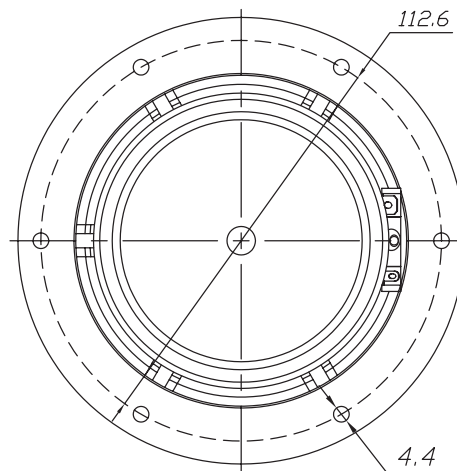
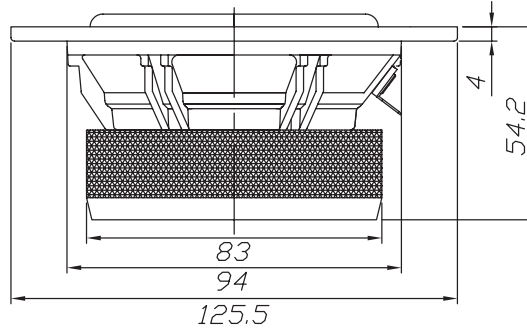
5" Reference Woofer 4 Ohm

Features

- Lightweight black anodized aluminum cone
- 4 ohm nominal impedance
- Attractive 6-hole cast frame
- Advanced low distortion motor design
- Solid aluminum phase plug
- Rubber surround

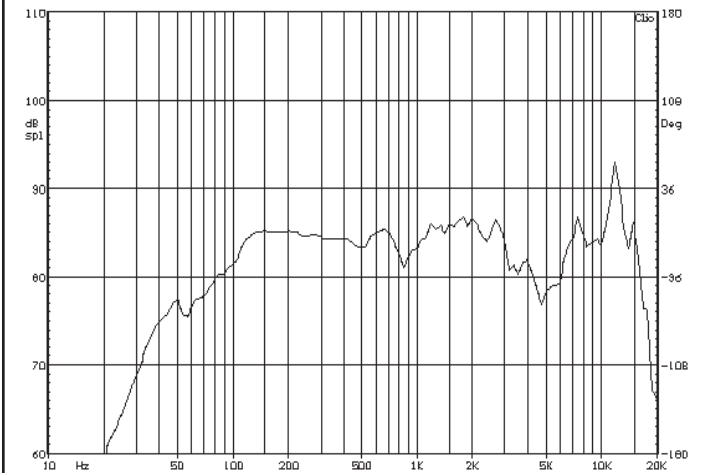
Parameters

Impedance (Ω)	4
Re (Ω)	3.0
Le (mH) @ 1 kHz	0.41
Fs (Hz)	76.0
Qms	3.97
Qes	0.75
Qts	0.63
Mms (g)	5.93
Cms (mm/N)	0.74
Sd (cm ²)	52.8
Vd (liters)	21.1
BL (Tm)	3.35
VAS (liters)	2.9
XMAX (mm)	4
VC Diameter (mm)	25
SPL (dB@1W/1m)	88.0
RMS Power Handling (w)	30
Usable Frequency Range (Hz)	65 - 4500



Note: All dimensions in mm.

Frequency Response



Note: Due to testing limitations, response below 200 Hz is not an actual representation.

Impedance/Phase

