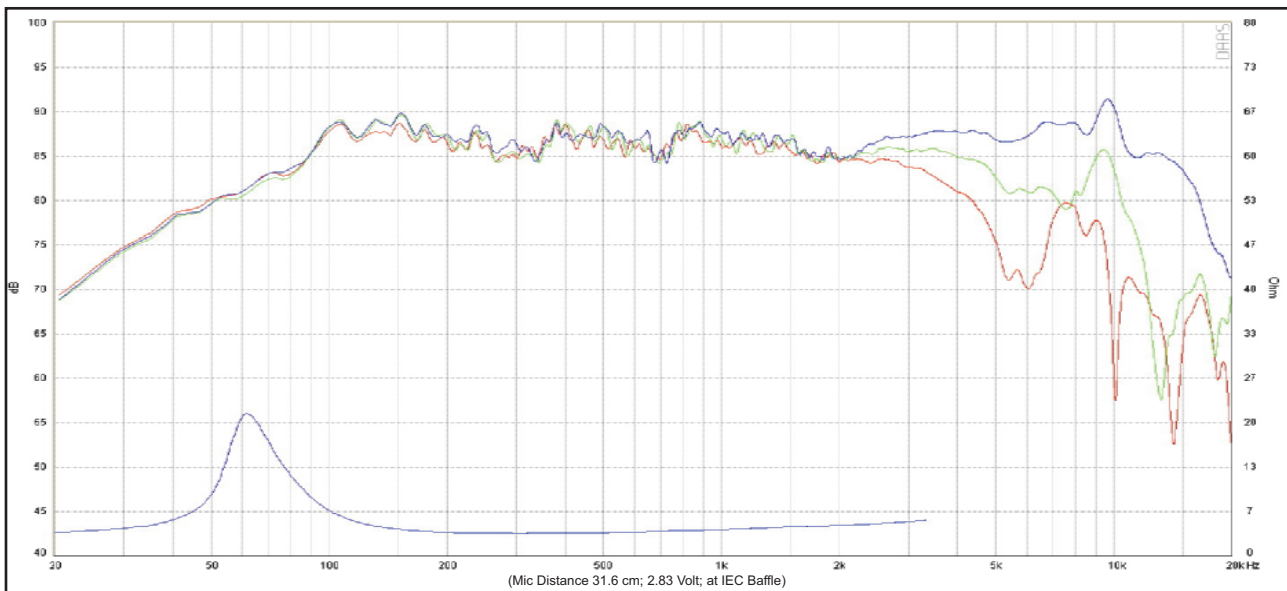
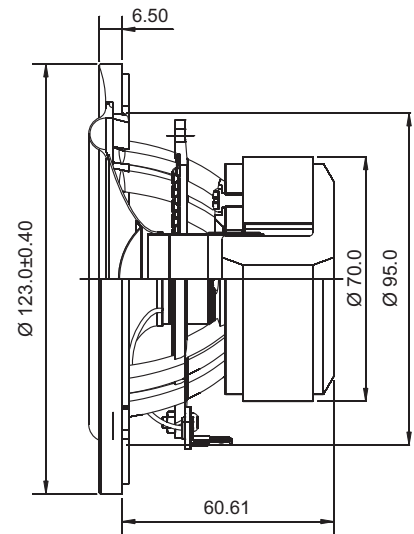
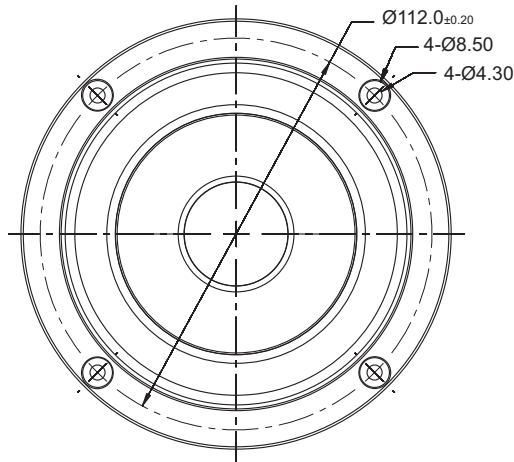


ACOUSTICS

4" SB12NRX25-4

Preliminary data



Response Curve :

— (Blue) : on axis — (Green) : 30 off-axis — (Red) : 60 off-axis

Specs :

Nominal Impedance	4 Ω	Free air resonance, Fs	55 Hz
DC resistance, Re	3.1 Ω	Sensitivity (2.83 V/1m)	87.5 dB
Voice coil inductance, Le	0.14 mH	Mechanical Q-factor, Qms	3.2
Effective piston area, Sd	50.3 cm ²	Electrical Q-factor, Qes	0.46
Voice coil diameter	25.4 mm	Total Q-factor, Qts	0.40
Voice coil height	15 mm	Moving mass incl.air, md	5.6 g
Air gap height	5 mm	Force factor, Bl	3.6 Tm
Linear coil travel (p-p)	10 mm	Equivalent volume, Vas	5.6 liters
Magnetic flux density	0.84 T	Compliance, Cms	1.57 mm/N
Magnet weight	0.32 kg	Mechanical loss, Rm	0.6 kg/s
Net weight	0.76 kg	Rated power handling	30 watt

The parameter are measured on drive units that are broken in