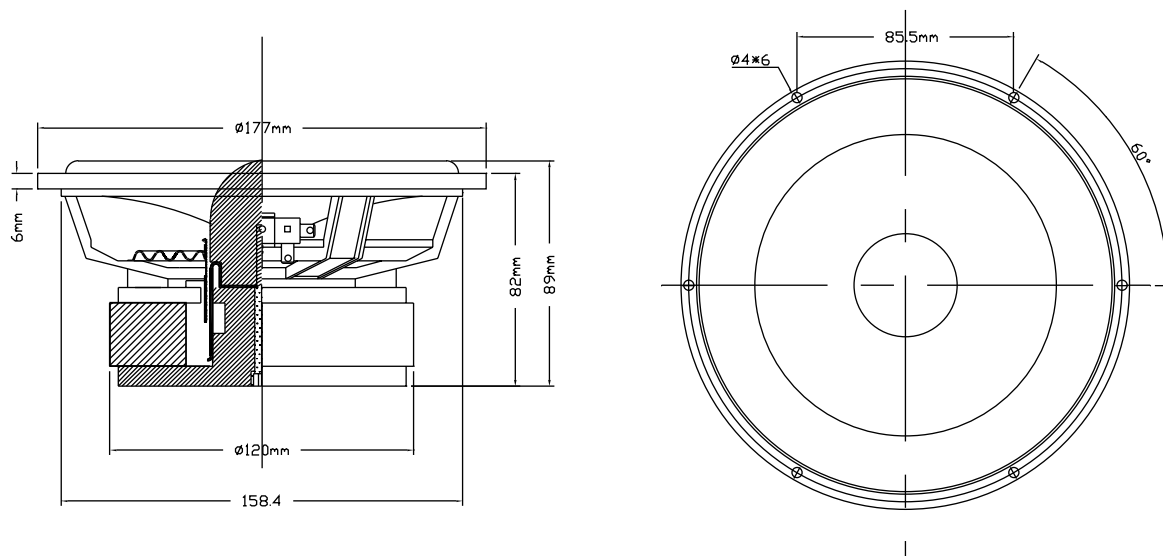


8945P



Specifications

NOMIAL IMPEDANCE	8 ±15% at 1.0V 1KHz
VC NOMINAL DIA	φ 42mm
LOWEST RESONANCE FREQUENCY	FO=34Hz ±3Hz at 1.0V
EFFECTIVE FREQUENCY RANGE	FO ~ 5KHz - 10dB 1M/1W
OUTPUT SOUND PRESSURE LEVEL	86 dB/W/M ±3dB 3004 0050 0600 Hz AVE
INPUT	RATED INPUT 70WM AXIMUM INPUT 100W
FLUX DENSITY	9.7K ±10% GUASS
BUZZ & RATTLE TEST	7.0V
POLARITY	POSITIVE - (LEFT) HAND TERMINAL
BAFFLE OPENING	138mm
MAGNET DIMENION / WEIGHT	120*60*25(mm)/1055g
WEIGHT	2765g
DROPPING TEST	1150mm 75° ±2°
LINEAR EXCURSION (Xmax)	6mm
EQUIVALENT AIR VOLUME (Vas)	37.1679 Litr
MECHANICAL Q (Qms)	2.441
ELECTRICAL Q (Qes)	0.388
TOTAL Q (Qts)	0.335

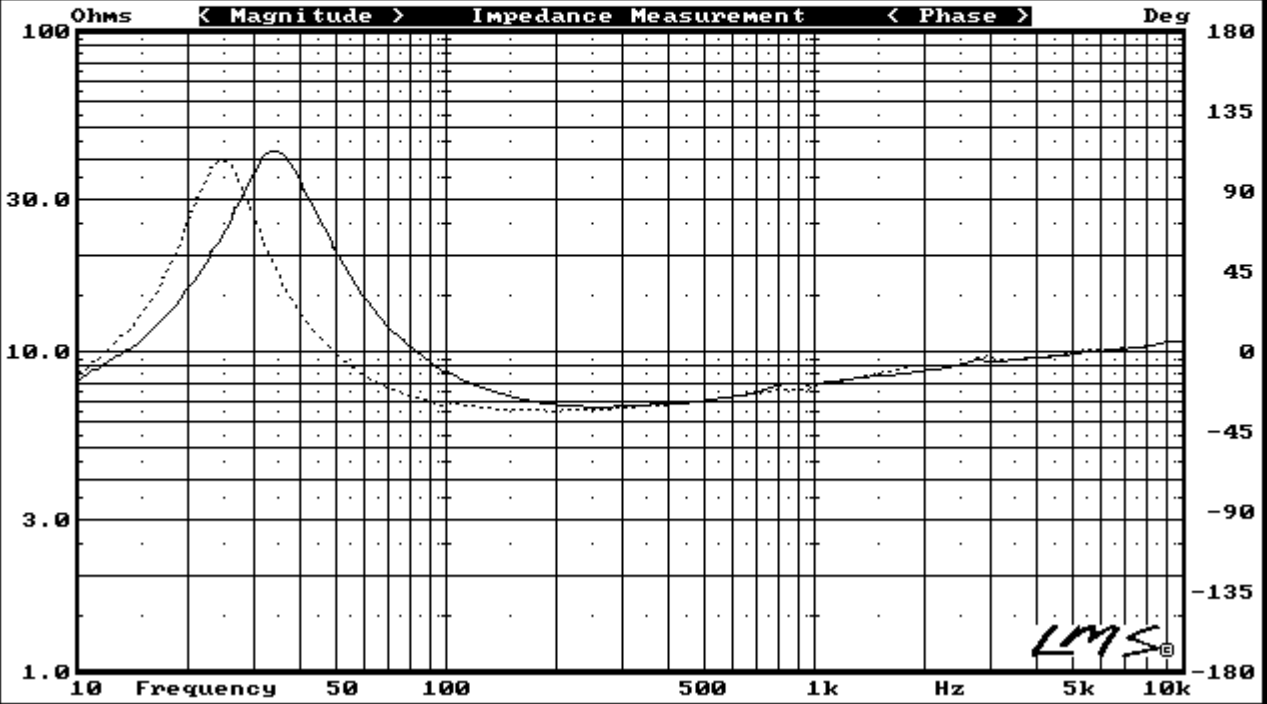
LMS

* Loudspeaker Measurement System *
U3.72, (C)1997 LinearX Systems Inc

Jun 30, 2004
Wed 10:16AM

LMS Library:
8945P426.LTB

Curve 1= 8945PW0426F1A
 Note1=
 Note2=
 Note3=
 Note4=
 Curve 2= 8945PW0426F1B
 Note1=
 Note2=
 Note3=
 Note4=



TSL Entry Num: 1 | SPLo= 88.04 dB | SPLi= 87.51 dB | SPLi= 88.91 dB |
 TSL File Name:8945P426 | = 0.40 % | = 0.35 % | @ Eg= 2.83 V |
 Name : 8945PW0426F1 Rem= 1.84 , Lem= 0.237 mH @ 1KHz
 Model: Speaker- Woofer/ Midrange Rem= 7.71 , Lem= 0.015 mH @ 20KHz

Znom= 8.000 Sd= 0.0136 sqM Fi= 34.012 Hz Hvc= 18.0000 mM
 Revc= 5.800 BL= 6.9338 TM Fo= 35.060 Hz Hag= 6.0000 mM
 Krm= 28.267 m Vas= 37.1679 Litr Qms= 2.441 Xmx= 6.0000 mM
 Kxm=699.182 mH Cms=1411.9380 uM/N Qes= 0.388 Cmx= 6.0000 mM
 Erm= 0.478 Mms= 14.5948 Gram Qts= 0.335 Cmo= 1.0000
 Exm= 0.087 Mmd= 13.6813 Gram Pmx= 70.000 Wrms Vc= 3.5714 C/W

