

Model Number: OT19NC00-04  
Product Line: Peerless Gold

Revision: Rev 1\_0  
Date: 7-May-10

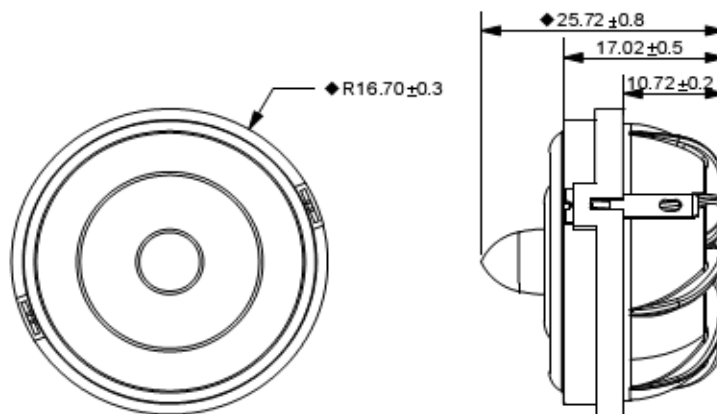


**Product Description:**

This member of the OT tweeter family utilizes two Tymphany technologies to deliver exceptional sound quality: the ring radiator patent, and the central waveguide patent. This model features a 4 ohm 19 mm voice coil, mounted in a neodymium magnet motor. The tweeter also features a rear chamber to create extended low frequency response. This compact tweeter without faceplate is ready for installation into compact systems.



**Mechanical 2D Drawing:**



**Specifications:**

DC Resistance	$R_{evc}$	$\Omega$	3.2	5.0%	Energy Bandwidth Product	EBP	$(1/Q_{es})f_s$	662
Minimum Impedance	$Z_{min}$	$\Omega$	3.6	7.5%	Moving Mass	$M_{ms}$	g	0.21
Voice Coil Inductance	$L_e$	mH	0.01		Suspension Compliance	$C_{ms}$	um/N	116.3
Resonant Frequency	$f_s$	Hz	1030	15.0%	Effective Cone Diameter	D	cm	2.4
Mechanical Q Factor	$Q_{ms}$	-	7.0		Effective Piston Area	$S_D$	cm <sup>2</sup>	4.5
Electrical Q Factor	$Q_{es}$	-	1.56		Equivalent Volume	$V_{as}$	L	0.00
Total Q Factor	$Q_{ts}$	-	1.27		Motor Force Factor	BL	T·m	1.64
Ratio $f_s / Q_{ts}$	F	$f_s / Q_{ts}$	808		Motor Efficiency Factor	$\beta$	$(T \cdot m^2) / \Omega$	0.85
Half Space Sensitivity @ 2.83V	dB@2.83V/1m	dB	88.0	+/-1.0 <sup>1</sup>	Voice Coil Former Material	VC <sub>fm</sub>	-	ASV
Sensitivity @ 1W/1m	1W/1m	dB	85.0	+/-1.0 <sup>1</sup>	Voice Coil Inner Diameter	VC <sub>id</sub>	mm	19.3
Rated Noise Power (IEC 2685 18.1)	P	W	80		Gap Height	Gh	mm	2.0
Test Spectrum Bandwidth	2.5kHz - 20kHz		12 dB/Oct		Maximum Linear Excursion	$X_{max}$	mm	0.1
					Ferrofluid Type	FF		N/A
					Transducer Size	-	inch	0.75
					Transducer Mass	-	Kg	0.042

1 - Piston Band Sensitivity Tolerance

**Frequency and Impedance Response:**

