

PL 4" Midrange



Type Number: PL11MH09-08

Features:

The PL series is designed for the discerning audiophile customer. To meet the needs of this audience, several new technologies were developed with the goal of lowering distortion and damping in the speaker. The coated paper cone reduces vibration and standing waves, and the vented motor system minimizes power compression. The combined result is a very open and dynamic sound.

Driver Highlights: Magnesium chassis, NRSC cone, NR rubber surround



Specs:

Electrical Data

Nominal impedance	Zn	8	ohm
Minimum impedance	Zmin	--	ohm
Maximum impedance	Zo	29	ohm
DC resistance	Re	5.9	ohm
Voice coil inductance	Le	0.38	mH

T-S Parameters

Resonance Frequency	fs	73	Hz
Mechanical Q factor	Qms	1.65	
Electrical Q factor	Qes	0.41	
Total Q factor	Qts	0.33	
Force factor	Bl	5.9	Tm
Mechanical resistance	Rms	1.48	Kg/s
Moving mass	Mms	5.3	g
Suspension compliance	Cms	--	mm/N
Effective cone diameter	D	--	cm
Effective piston area	Sd	58	cm ²
Equivalent volume	Vas	4.25	ltrs
Sensitivity (2.83V/1m)		87	dB

Power handling

Long-term Max Power (IEC 18.3)	90	W
Max linear SPL (rms) @ power	--	dB/W
Short Term Max power (IEC 18.2)	150	W

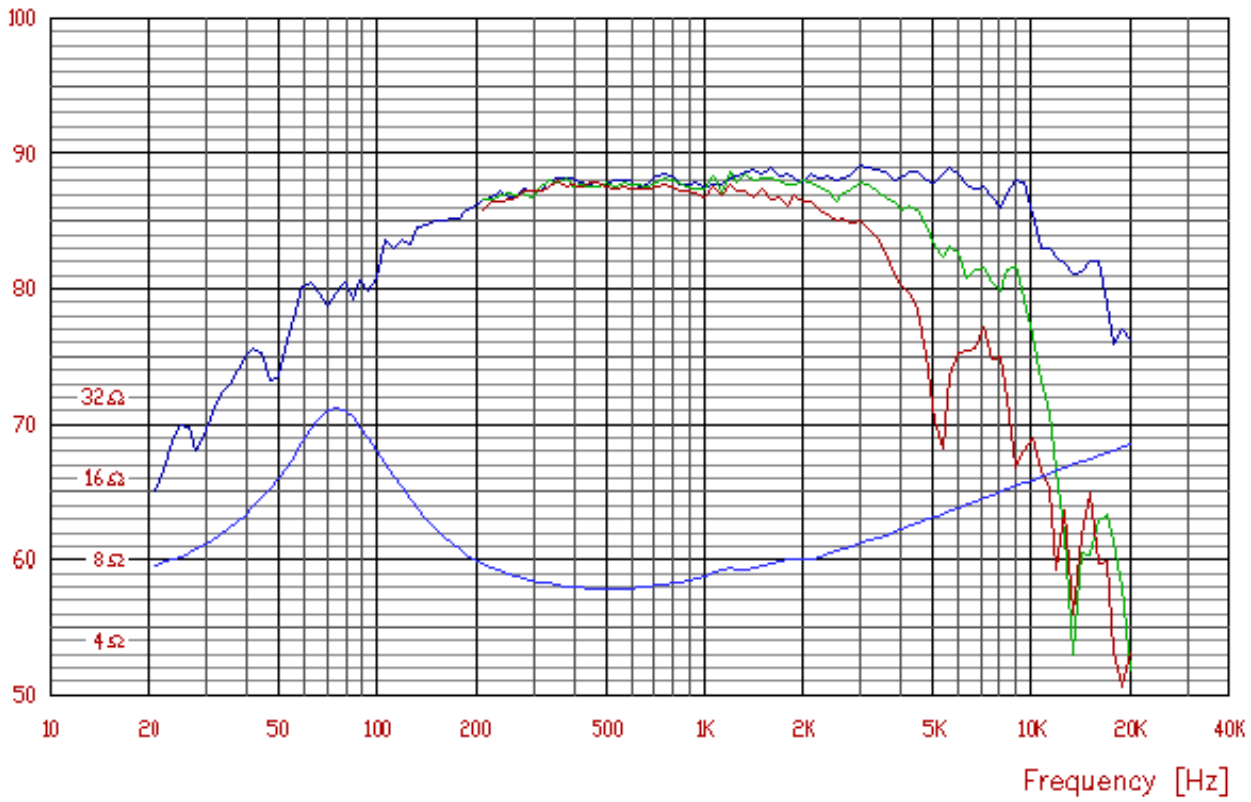
Voice Coil and Magnet Parameters

Voice coil diameter	25	mm
Voice coil height	7.5	mm
Voice coil layers	--	
Height of the gap	4	mm
Flux density of gap	--	mWb
Total useful flux	--	mWb
Diameter of magnet	--	mm
Height of magnet	--	mm
Weight of magnet	0.415	Kg

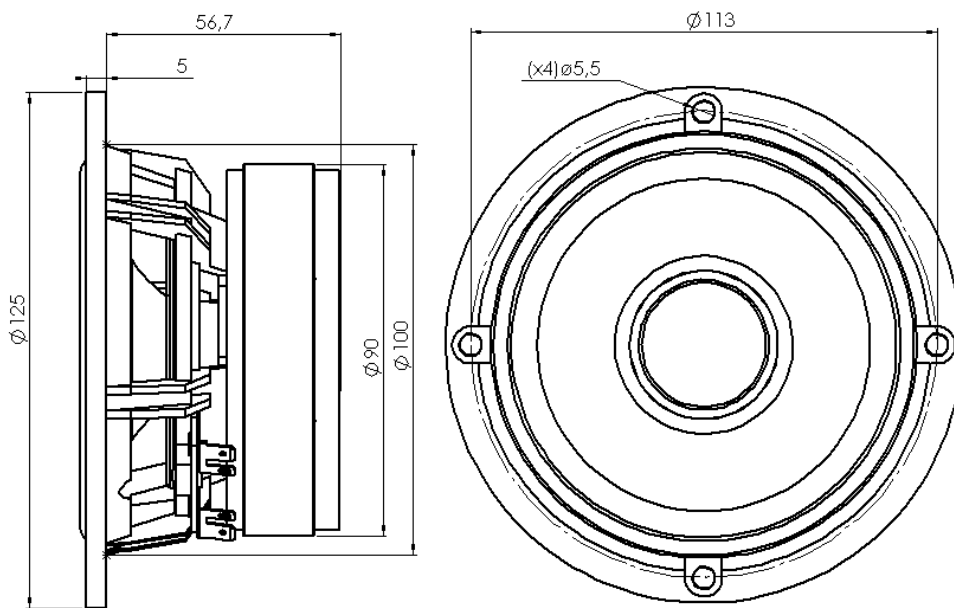
Notes:
IEC specs refer to IEC 60268-5 third edition.
All Tymphany products are RoHS compliant.

Frequency: PL11MH09-08

SPL [dB]



Mechanical Dimensions: PL11MH09-08



PL11MH09-08